

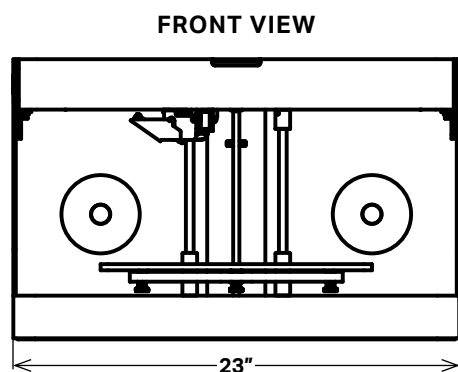
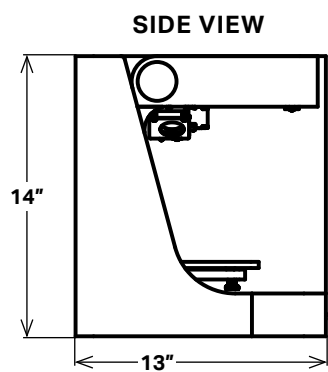
PRINTER SPECIFICATIONS

F-PR-4001

ONYX PRO

The Onyx Pro features Markforged’s unique continuous fiber reinforcement at an affordable price. Built on a durable chassis with precision components, the Onyx Pro prints fiberglass reinforced thermoplastic parts that are 10x as strong as traditional printing plastics.

PRINTER PROPERTIES	Process	Continuous Fiber Reinforced Plastics
	Build Volume	320 x 132 x 154 mm (12.6 x 5.2 x 6 in)
	Weight	16 kg (35 lbs)
	Machine Footprint	584 x 330 x 355 mm (23 x 13 x 14 in)
	Print Bed	Flat to within 160 um - Kinematic coupling
	Power	100-240VAC, 150W (2A peak)
	Mark Two Upgrade	Carbon Fiber, HSHT, and Kevlar
PART PROPERTIES	Layer Height	100um default, 200um maximum
	Ultimate Tensile Strength	590 MPa (19.0x ABS, 16.4x Onyx)
	Max Flexural Stiffness	22 GPa (10.7x ABS, 7.6x Onyx)
	Infill	Closed Cell Infill: Multiple geometries available
SOFTWARE	Supplied Software	Markforged Software - Cloud Storage, Local Storage, or Fully On-Premise (\$5,000 added fee)
	Security	Two Factor Auth, Org Admin Access, Single Sign On
MATERIALS	Plastics Available	Onyx
	Fibers Available	Fiberglass



All specifications approximate and subject to change without notice.